

MS RACK AND SHELVING SYSTEM

for storing medical supplies

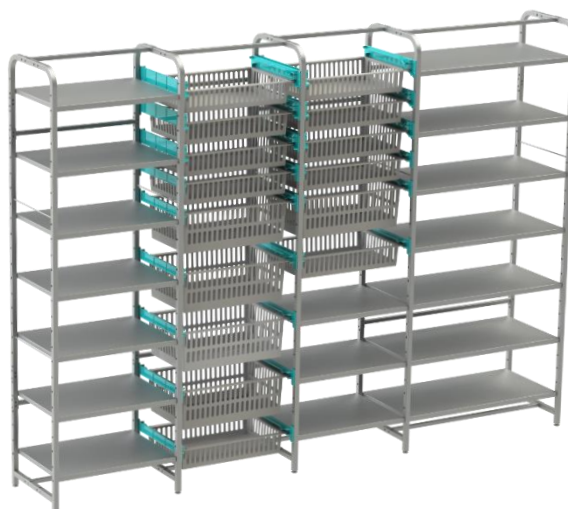


Guide to assembling rack

depth 60 cm



depth 40 cm



- easy assembly
- combination of MS baskets made of quality plastic (ABS), full shelves made of stainless steel AISI304
- heavy-duty construction
- racks made of: **stainless steel AISI304** (cat. No. ZR13...) or **steel coated with gray powder paint RAL7042** (cat. No. ZR12...)
- assembling according to your possibilities and needs (any dimensions and various sizes)
- including anchoring and all fasteners (to the floor and walls)
- height-adjustable and leveling element
- possibility of assembling two rows back to back i.e. two-way access:

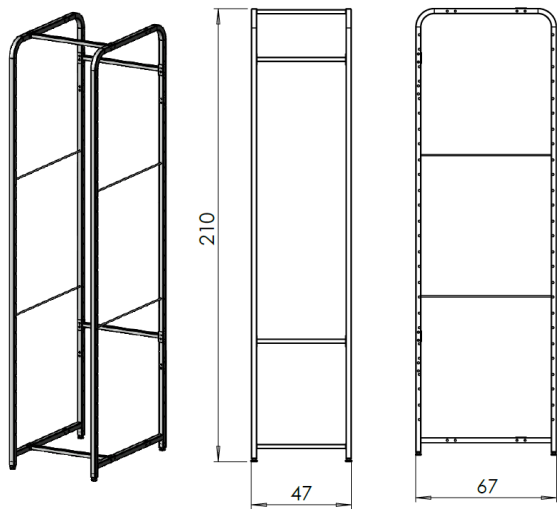


- it can be equipped with transparent MS baskets
- racks can be made of the most durable **stainless steel AISI316L** to order (in the case of storage of chlorine or other aggressive materials)

RACKS OF 60 cm IN DEPTH

BASIC RACK OF 60 cm IN DEPTH (60 x 40 cm)

Each unit is always based on the basic rack:



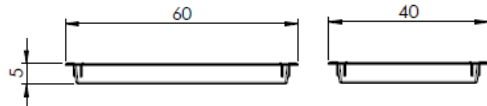
Shelves – cat. No. ZRPOLICE01 and MS baskets – cat. No. 11419, 11420, 11421) and other combinations thereof can be inserted in this base.

Cat. No. ZR1331* (stainless steel AISI304) / ZR1231* (steel coated with gray powder paint)

OFFERED ISO MODULE BASKET SYSTEM (depth 60cm)



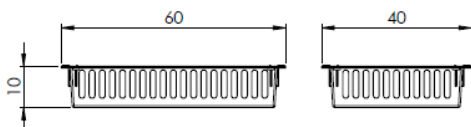
Cat. No. 11419



MS basket size S
material: **high-quality plastic (ABS)**
Max. load: 20 kg



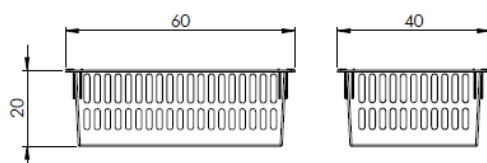
Cat. No. 11420



MS basket size M
material: **high-quality plastic (ABS)**
Max. load: 20 kg



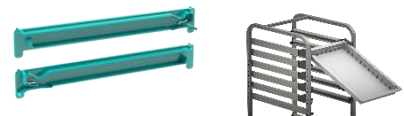
Cat. No. 11421



MS basket size L
material: **high-quality plastic (ABS)**
Max. load: 20 kg

It's necessary to order a pair of runners (length of 60 cm) with every basket!

Angled runners – to draw a basket at the angle of 25°.



Cat. No. 11429B = a pair
Suggested for the first third of rack from the top..

Horizontal runners

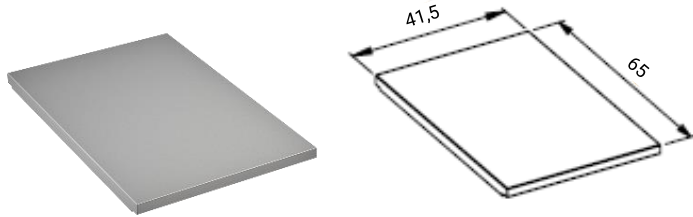


Cat. No. 11428B = a pair

- MS baskets can be divided by using partitions
- an overview of all division variants can be found on the last page of this guide



OFFERED SHELF (depth 60 cm)



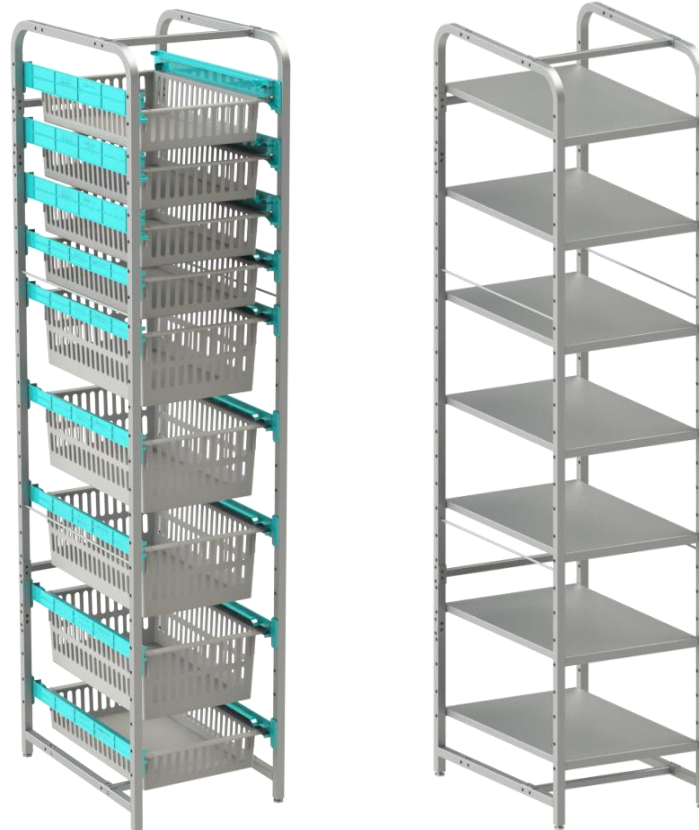
Full shelf made of stainless steel AISI304.

Cat. No. ZRPOLICE01

This shelf can be only placed in the rack of 60 cm in depth.

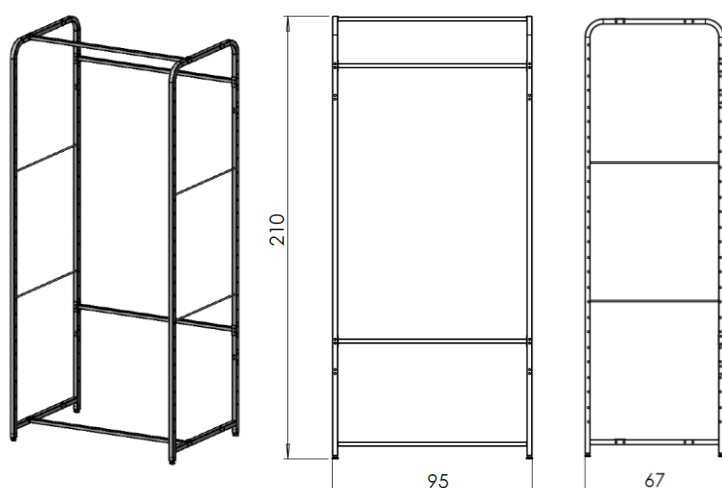
- The shelf includes hooks for attachment to the rack.
- The max load capacity of the shelf is 20 kg with an even distribution of the weight over the entire area

EXAMPLES OF BASIC RACK WITH MS BASKETS AND SHELVES



BASIC SHELF OF 60 cm IN DEPTH (60 x 90 cm)

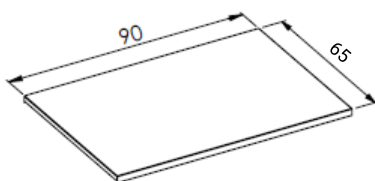
Each unit is always based on the basic rack:



It is possible to insert shelves –
cat. No. ZRPOLICE02.

Cat. No. ZR1336* (stainless steel AISI304) / ZR1236* (steel coated with grey powder paint)
Max. load capacity: 300 kg

OFFERED SHELVES (depth 60 cm)



Full shelf made of stainless steel
AISI304.

Cat. No. ZRPOLICE02

This shelf can be **only placed** in the
rack of 60 cm in depth.

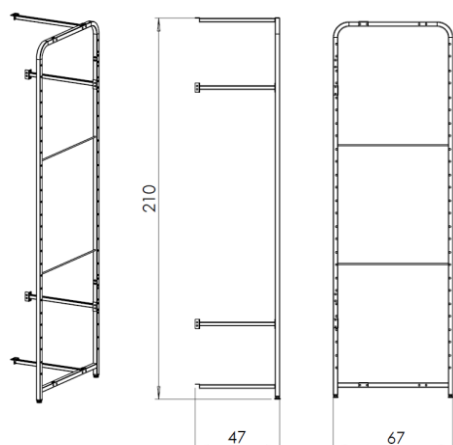
- The shelf includes hooks for attachment to the rack.
- The max load capacity of the shelf is 20 kg with an even distribution of the weight over the entire area

EXAMPLE OF THE BASIC RACK WITH SHELVES



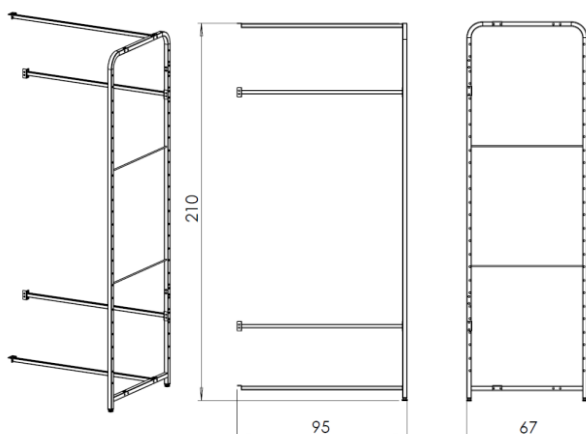
THE EXTENSION OF THE BASIC RACK OF 60 cm IN DEPTH

You can also add the extensions to the base rack of 60 cm in depth:



Shelves – cat. No. ZRPOLICE01 and **MS baskets** – cat. No. 11419, 11420, 11421) including **variable combinations** can be inserted in this extension.

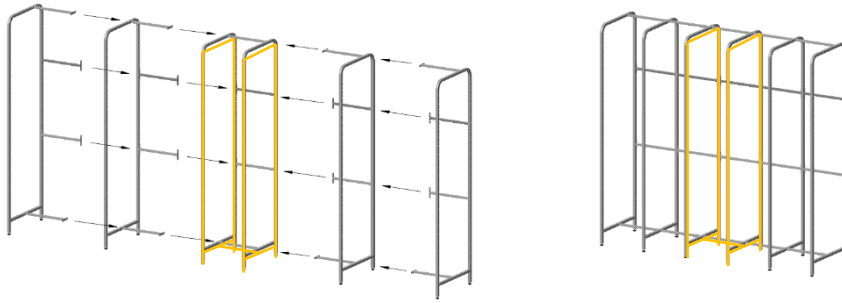
Cat. No. ZR1331S* (stainless steel AISI304) / ZR1231S* (steel coated with grey powder paint)
Max. load capacity: 300 kg



Shelves cat. No. ZRPOLICE 02 can be only be inserted in this extension.

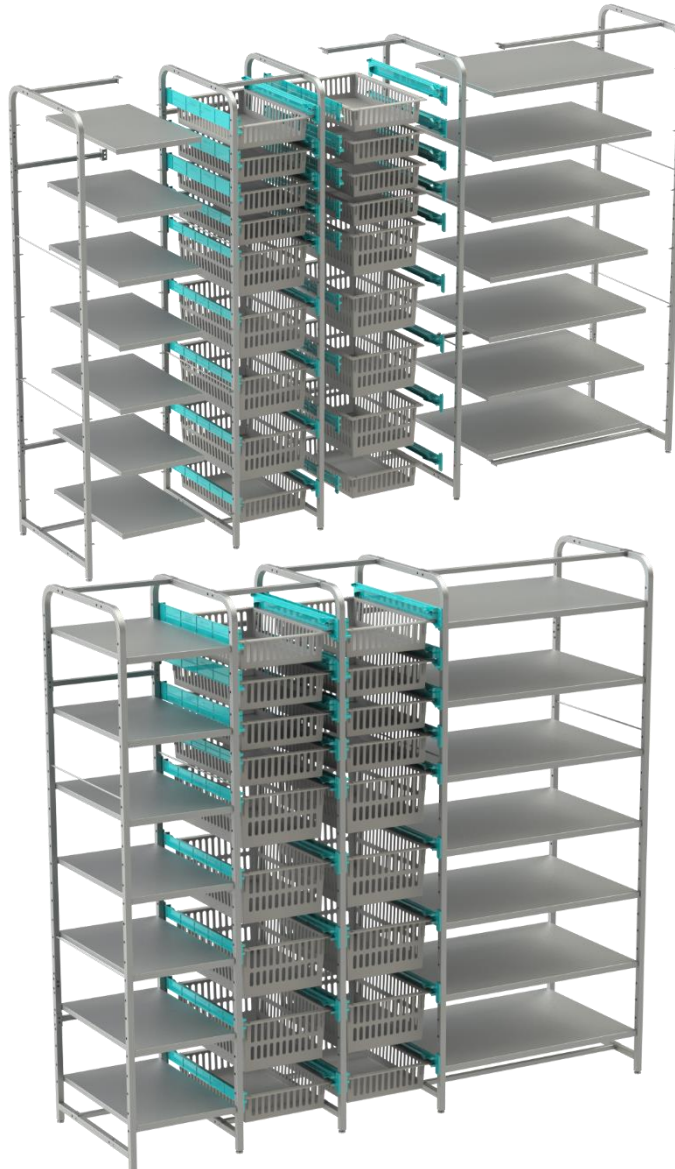
Cat. No. ZR1336S* (stainless steel AISI304) / ZR1236S* (steel coated with grey powder paint)
Max. load capacity: 300 kg

EXAMPLE OF VARIABLE UNITS



- Basic rack can be modified by any number of extensions from either left or right side
- Thanks to the well designed system it's possible to have variable dimensions and sizes

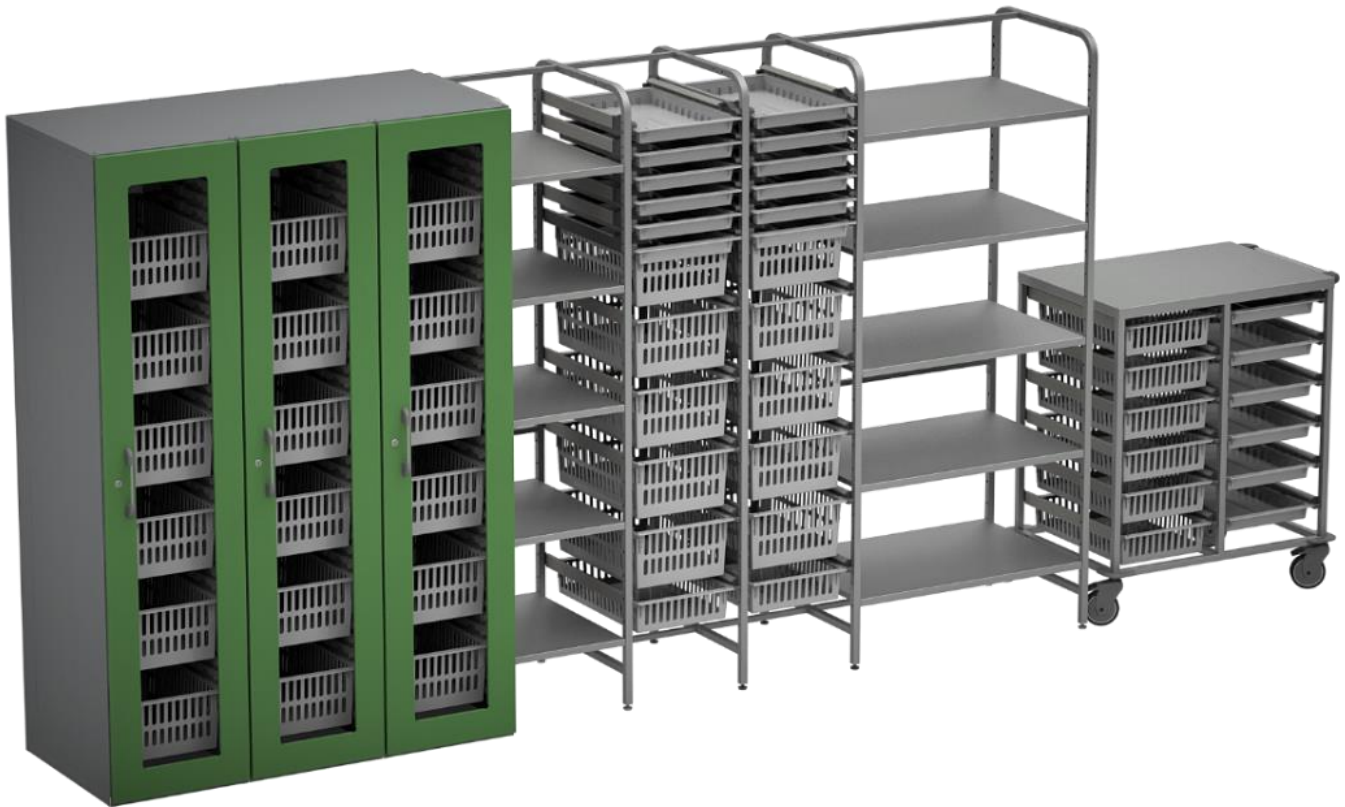
EXAMPLES OF VARIABLE UNITS (depth 60 cm)



These shelves can also be combined with our other products:

- [cabinets](#) in several versions with a modular system
- [open](#) and [closed](#) mobile carts with a modular system

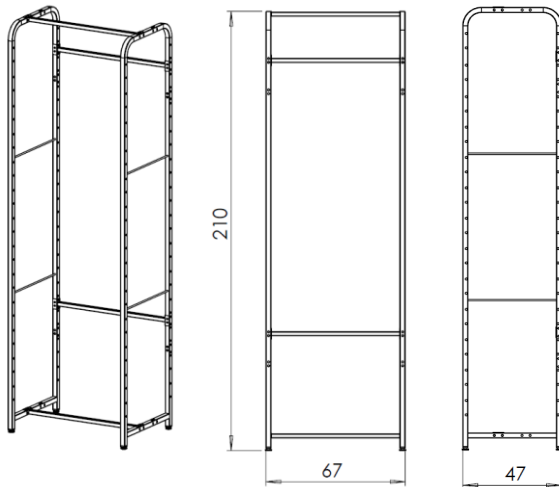
For further information visit our website or call us directly!



RACKS OF 40 cm IN DEPTH

BASIC RACK OF 40 cm IN DEPTH (40 x 60 cm)

Each unit is always based on the basic rack:



It is possible to insert shelves – cat. No. ZRPOLICE11 and MS baskets – cat. No. 11419,11420,11421, and various combinations thereof in this base.

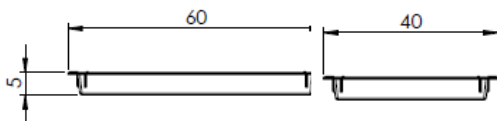
Cat. No. ZR1332* (stainless steel AISI304) / ZR1232* (steel coated with grey powder paint)
Max load capacity: 300 kg

OFFERED ISO MODULE BASKET SYSTEM (depth 40cm)



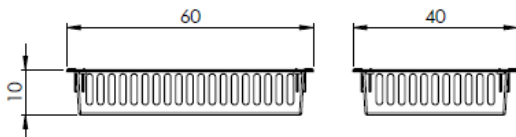
Cat. No. 11419

MS basket size S
material: high-quality plastic (ABS)
Max. load: 20 kg



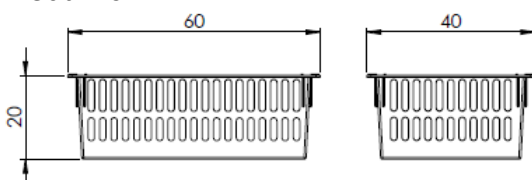
Cat.No. 11420

MS basket size M
material: high-quality plastic (ABS)
Max. load: 20 kg



Cat. No. 11421

MS basket size L
material: high-quality plastic (ABS)
Max. load: 20 kg



It's necessary to order a pair of runners (length of 40 cm) with every basket!

Angled runners – to draw a basket at the angle of 25°.



Cat. No. 11426VAR02 = a pair.
Suggested for the first third of rack from the top..

Horizontal runners

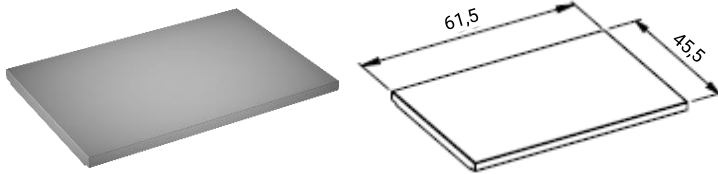


Cat. No. 11427VAR02 = a pair.

- MS baskets can be divided by using partitions
- an overview of all division variants can be found on the last page of this guide



OFFERED SHELVES (depth 40 cm)



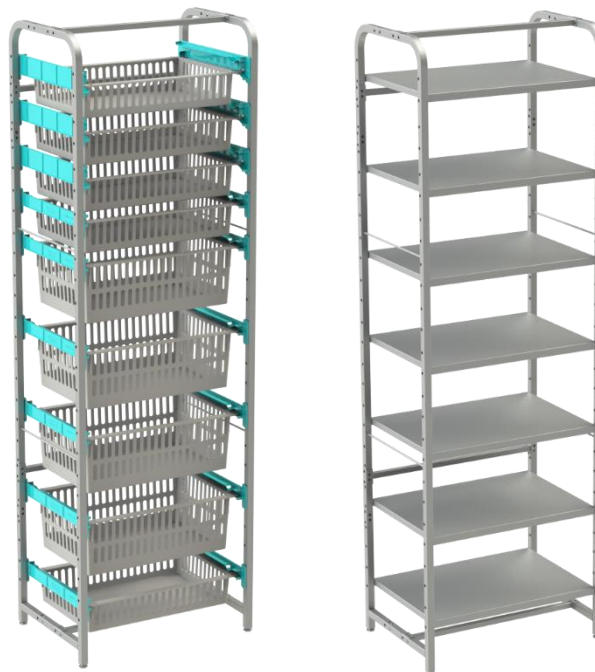
Full shelf made of stainless steel AISI304.

Cat. No. ZRPOLICE11

This shelf can only be placed in the racks of 40 cm in depth.

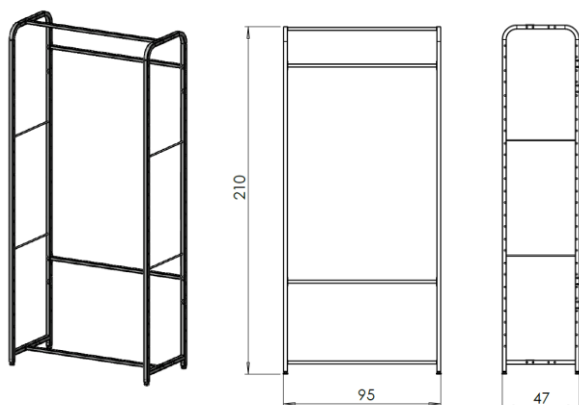
- The shelf includes hooks for attachment to the rack.
- The max load capacity of the shelf is 20 kg with an even distribution of the weight over the entire area

EXAMPLES OF BASIC RACK WITH MS BASKETS AND SHELVES



BASIC RACK OF 40 cm IN DEPTH (40 x 90 cm)

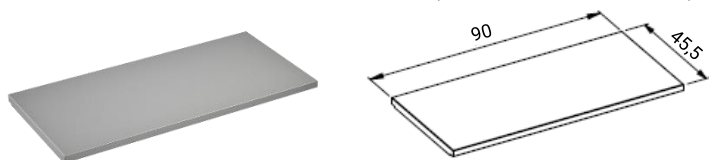
Each unit is always based on the basic rack:



It is possible to insert only shelves cat. No. ZRPOLICE12.

Cat. No. ZR1337* (stainless steel AISI304) / ZR1237* (steel coated with grey powder paint)
Max. load capacity: 300 kg

OFFERED SHELVES (depth 40 cm)



Full shelf made of stainless steel AISI304.

This shelf cat. No. ZRPOLICE12 is only possible to insert in racks of 40 cm in depth.

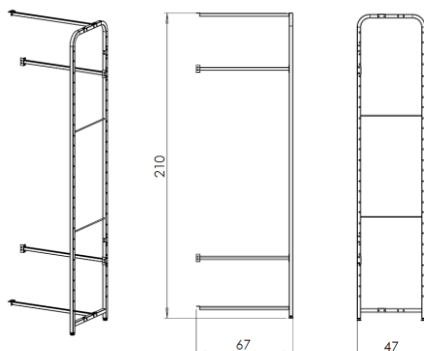
- The shelf includes hooks for attachment to the rack.
- The max load capacity of the shelf is 20 kg with an even distribution of the weight over the entire area

EXAMPLE OF A BASIC RACK WITH SHELVES



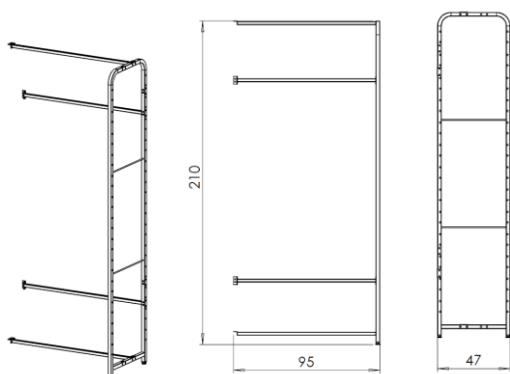
EXTENSION OF THE BASIC SHELF WITH A DEPTH OF **40 cm**

You can also **add the extensions to the base rack** of 40 cm in depth:



It is possible to insert **shelves cat. No. ZRPOLICE11 and MS baskets – cat. No. 11419, 11420, 11421, and various combinations thereof** in this base.

Cat. No. **ZR1332S*** (stainless steel AISI304) / **ZR1232S*** (steel coated with grey powder paint)
Load capacity: **max. 300 kg**



Only shelves – cat. No. ZRPOLICE12 are possible to be inserted in the rack of 40 cm in depth.

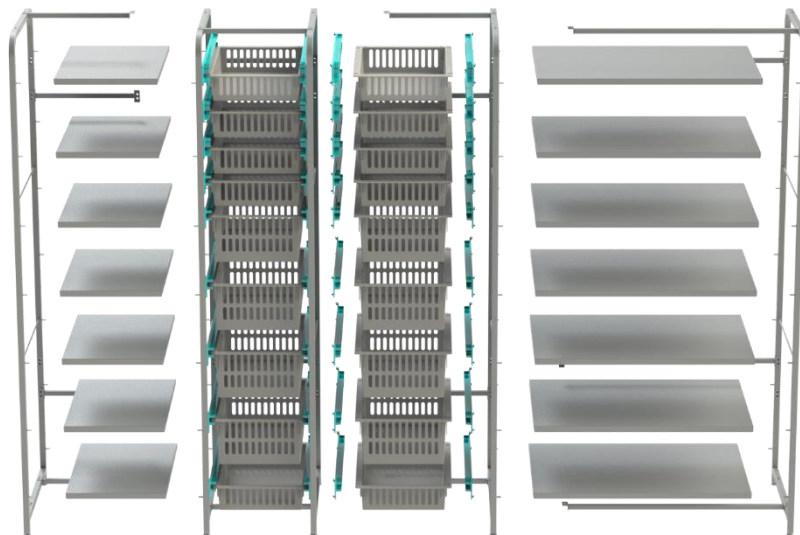
Cat. No. **ZR1337S*** (stainless steel AISI304) / **ZR1237S*** (steel coated with grey powder paint)
Max. load capacity: **300 kg**

EXAMPLES OF VARIABLE UNITS WITH EXTENSION



- Basic rack can be modified by optional number of extensions from either left or right side
- Thanks to the well designed system it's possible to have variable dimensions and sizes.

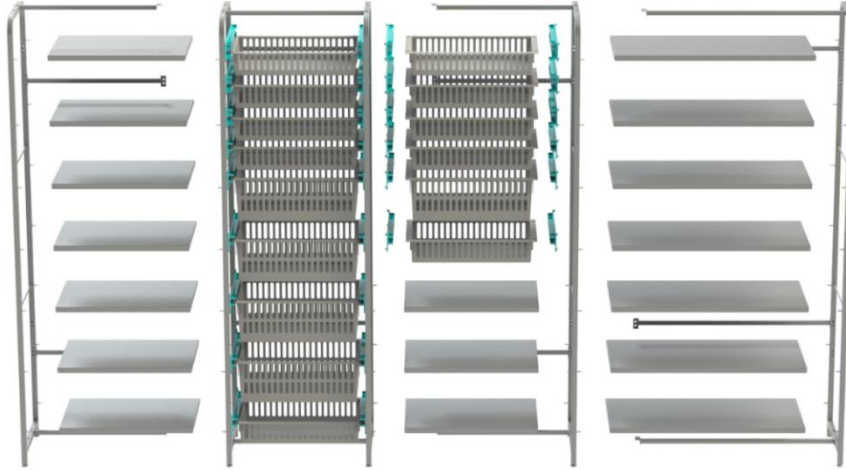
EXAMPLES OF VARIOUS COMBINATIONS



These racks can also be combined with other products from our production:

- [cabinets](#) in several versions with a modular system
- [open](#) and [closed](#) mobile carts with a modular system

For further information visit our website or call us directly!

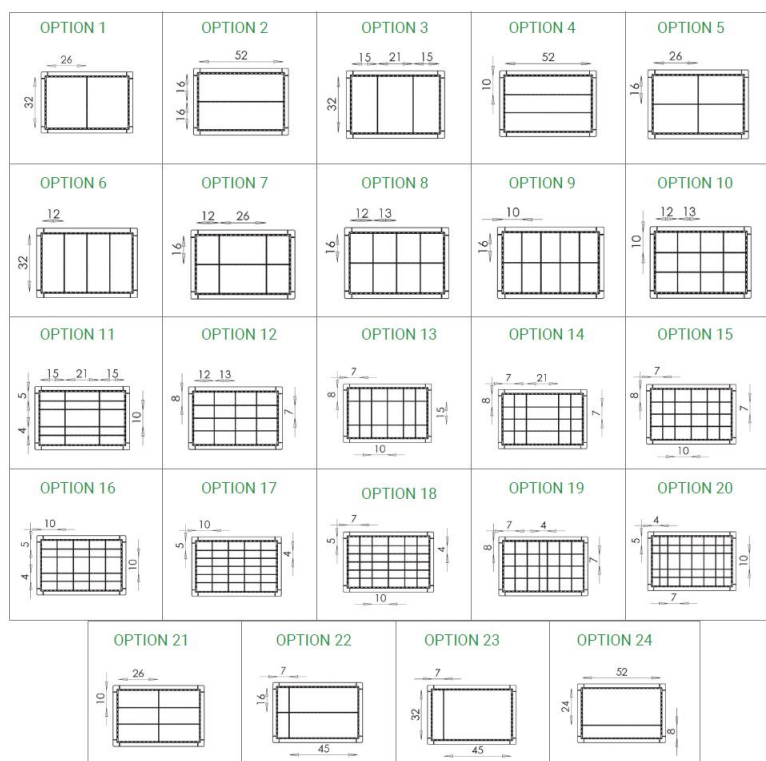


Variants of dividing MS basket by using partitions of all heights:

The partitions are made of high-quality plastic (ABS) and can be freely assembled into each other, thus creating different compartment sizes i. e. the space is fully utilized.

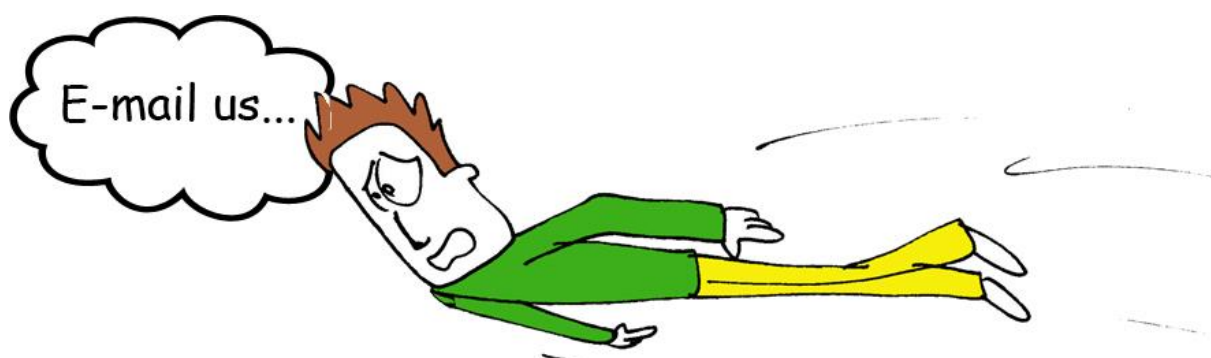
Changing of size of the sections in length and width and fixing them in the selected position can be done in a few seconds.

There are possible variants of dividing MS baskets below:



Don't know what to do or you have a clear idea?

- We offer assistance with taking measurements
- We can create a graphic design and offer
- We can save your time and give you a great manual of putting together a designed unit
- Consultation over the phone or e-mail



e-mail: export@klaro.cz phone: +420 314 005 424

www.klaro.cz