

## MULTIFUNCTIONAL FURNITURE (SINKS, TABLES, CABINETS, CARTS)

Klaro, spol. s r. o. offers a complete range of stainless steel tables and furniture with wide variability allowing the products to be adapted exactly to the needs of the customers. Our portfolio includes a large number of successful solutions that we have individually designed for our customers to their full satisfaction.

- High quality, rigid and solid all-welded structure
- Uniform design
- Precisely ground edges and rounded corners ensure product safety
- Special surface finish
- Easy to clean
- Great variability of tables
- Large selection of modifiable elements such as doors, drawers or baskets
- Compatibility with other products of Klaro
- Possibility of modification according to individual customer's requirements
- Large selection of sink types and the possibility to choose the most suitable material
- Possibility to design and manufacture a sink tailored to customer's needs
- Superior 5-year warranty
- Environmentally friendly production
- Emphasis on continuous innovation of our products





## Solutions for healthcare facilities

We offer **tailor-made solutions** for the healthcare sector that we create for our customers. When designing furniture and accessories, we take into account the corresponding spatial layout specified by the customer or surveyed at the customer's site by our technicians.

Our customers in the healthcare sector appreciate particularly the reliability, sophistication and adaptability of our products to their special needs.

We cooperate closely with people in the healthcare sector during development, which allows us to get an accurate notion of what the customer needs. The customizability of our multifunctional furniture and accessories is based on their **versatile design** and the **possibility to combine** the individual parts.

As regards the medical furniture, you can choose from a wide range of **colour options**.

We offer a large selection of **accessories** to match the purpose of the medical furniture. These include, for example, aseptic basins, stainless steel containers, stainless steel trays, stands, holders, containers, steps, curtain walls, racks, baskets, drawers, drip trays, bags, mobile screens, pressure bottle carts, etc. We are constantly adapting our product range to the current needs of our customers.

Our **modular furniture** system enables us to provide the ideal combination to meet the customer's space requirements and to connect with the equipment already in use, so that the operation of the respective medical facility can be optimised to the maximum extent.





## Solutions for commercial, operating and technical premises

We offer multifunctional furniture for shops, services, workshops, storage, operating and technical premises, for example for hospitals, research institutes, accommodation facilities, catering facilities, retirement homes, other social facilities, exhibition premises, libraries, warehouses or production facilities. In addition we produce for example, carts for passenger trains for railway operators.

Multifunctional furniture can also be supplemented with a wide range of accessories. These include for example stainless steel trays, stands, brackets, hanging walls, racks, baskets, drawers, drip trays, bags and other accessories. The furniture can be designed using a variety of colours to match the design to the colour scheme of the customer's premises.





## Design furniture for modern interiors

Modern trends are open to greater creativity. Even in operating or office premises, furniture with fresh and colourful designs can be used to brighten up these premises and make them more pleasant to work and spend the day in. Our company has responded to the demand for modern interiors by offering tasteful furniture solutions with the possibility to choose from a wide range of colours.

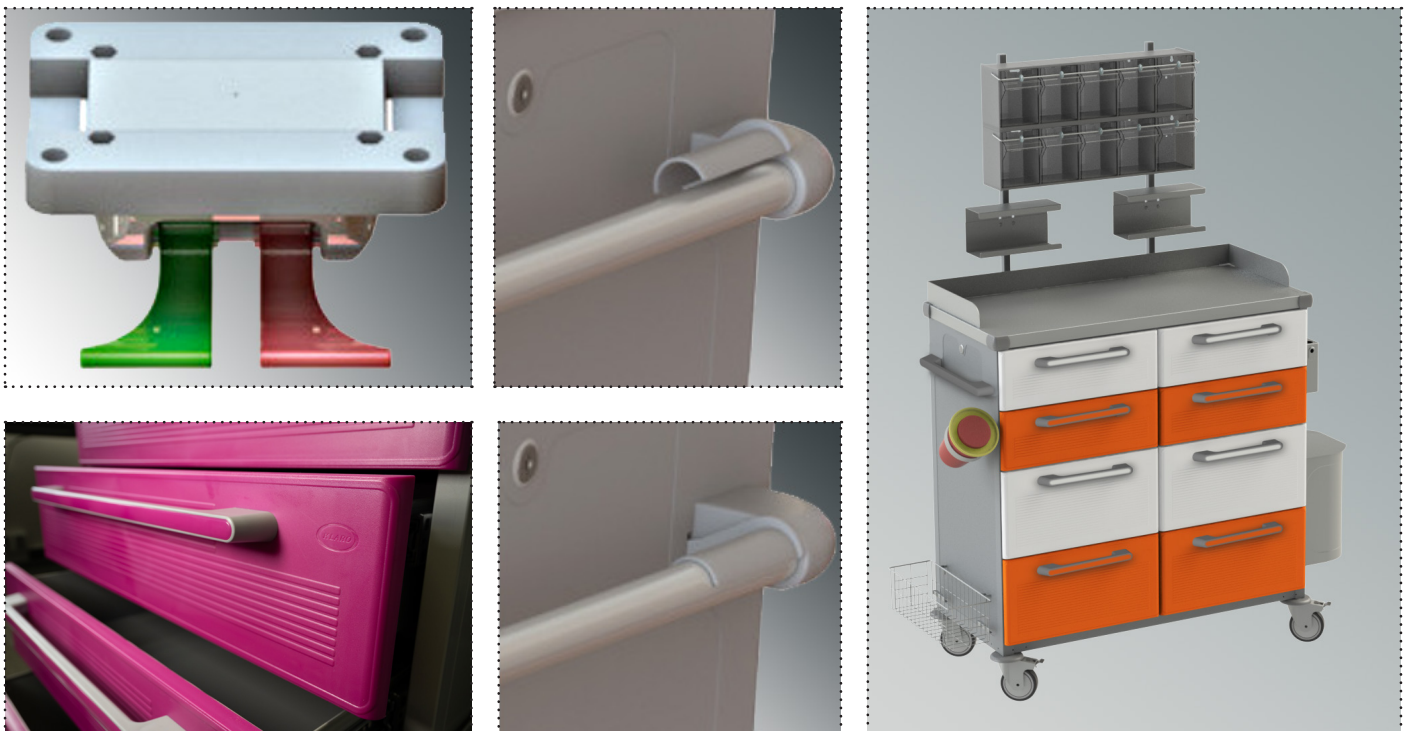


## Emphasis on innovation

Our company is constantly responding to changes in customer ideas regarding the technical design of furniture and furnishings. We strive to continuously innovate our products both technically and in terms of appearance in order to constantly adapt them to the current trends. Recent design changes include, for example, our new stronger and more durable handle design.

Our innovative approach is illustrated, among others, by the nearly three hundred **atypical models** of furniture, carts and accessories that have been individually designed based on the requirements and suggestions of our customers. Many of them have taken root over time, become part of our portfolio and are sought after by other customers who have discovered their **advantages**.

We also make innovations in the areas of product **safety and durability**. The safety of all products is thoroughly assessed to prevent workplace accidents and damage when they are heavily deployed in customers' operations. Among the examples of such safety solutions are the carefully ground edges, bumpers or high-quality handles that ensure safe manoeuvring and operation of our products.



Highly innovative safety features also include our **new braking systems** used on our carts, which significantly increase the safety of the personnel, as well as the safety of persons and property in the areas where they are used.

Our **central braking system**, in turn, allows the cart to be braked very reliably using a single control. The central brake is very suitable for premises with uneven floors.

Another very useful safety feature is the **directional locking** of the cart wheels, which makes straight movement very easy. It is also combined with a brake that allows the cart wheels to be locked.

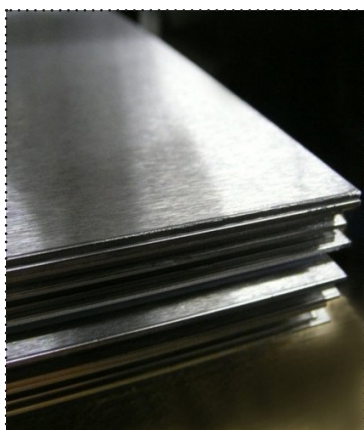
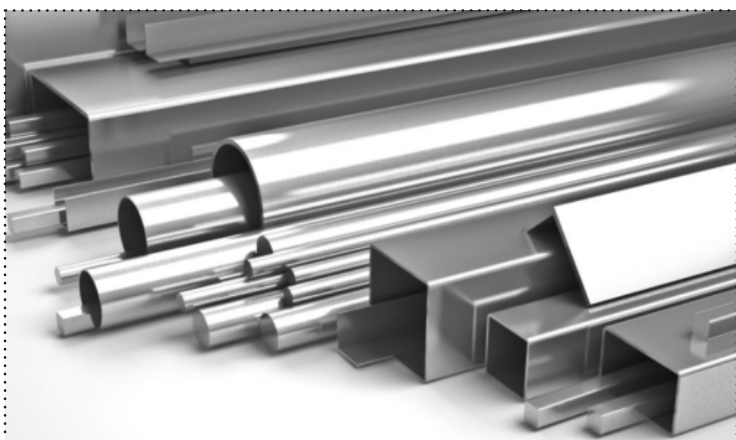
The carts can also be equipped with a handbrake system allowing the cart to be stopped manually if necessary.



## Material used

We always adapt the design and production to the customer's requirements. Based on more than **thirty years of experience** and cooperation with the largest domestic suppliers of metallurgical materials, we use **stainless steel 1.4301 (AISI304)**, which is suitable for the medical, food and pharmaceutical industries.

Our products have a **special surface finish** - ground surface K400, which best resists minor mechanical damage such as scratches, dents, etc., and at the same time ensures the possibility of quality cleaning thanks to protection against adhesion of disinfectants and cleaning agents on the surface. Any minor damage can then be removed without leaving any traces, thanks to the abrasive properties mentioned above.



## Production

Thanks to many years of experience, our company relies on **perfect hand manufacture** supported by state-of-the-art technology. The production of semi-finished products is enabled by our high-quality **laser equipment** or powerful punching and bending presses. In contrast, welding is carried out exclusively by hand by our experienced TIG welders, which guarantees the highest strength compared to prefabricated joints or automatically spotted joints.

The final grinding of the products is not handled by automatic machines, but only by high-end grinding technology in the hands of our precision grinders, which gives a **perfectly uniform surface**. The final inspection is then carried out by our most experienced quality assessment personnel.

The combination of the above-mentioned production methods always provides the customer with **solid and rigid all-welded constructions** with a unified design, whose corners or transitions between the worktop and sink are welded and ground so that the joint itself is hardly noticeable. All production processes are carried out in accordance with the **ISO9001 quality management standard**. Our precise handwork is appreciated by customers in western countries such as Germany.

## Individual solutions

Based on our experience, we can advise the customer on the choice of material to best suit the desired purpose. In the case of premises where aggressive materials are handled, such as laboratories or the chemical industry, we can produce our products using **special stainless steel materials** such as AISI316L, etc. These materials can be combined, if necessary, even within a single product.

We cooperate in the production of sinks and cabinets with the supplier of the best **Italian sinks** and stainless steel components, who offers sinks with a large range of different sizes and shapes, both made of AISI304 and AISI316 materials. Based on the customer's special requirements we can offer a **tailor-made sink**, which is almost indistinguishable from a classical moulded sink.



## Advantages

Our production possibilities provide our customers a wide **choice of product configurations**. Our employees carry out on-site survey which allows us to react flexibly to any construction changes compared to the original project - e.g. by changing the dimensions, shape, etc. This allows us to adapt our products to the customer's actual requirements without any problems. This allows the customer to specify the exact location of the sinks, the orientation of the outlet pipes, or whether the worktop should be fitted with a moulding, a tap hole, etc.



## Product features

At the customer's request, we are able to furnish the tables with cladding, opening or sliding doors, adjustable shelves, cable grommets, etc. In addition, we can support everything with specially developed original drawers with plastic faces with a wide range of sizes and colours.

The drawers can be equipped with the standardized **Modul-system**, which is a unified system of plastic baskets of different sizes that can be divided by adjustable partitions, etc. These baskets are fully compatible with our open and closed carts of the Uni-Trans, Metal Line series as well as with our cabinet and rack system.





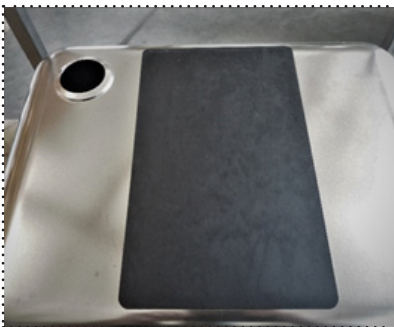
## Product safety and protection against vibration and noise

We use **special mouldings** against vibrations, the size and shape of which can be easily adapted to specific surfaces or customer's requirements. At the same time, they give a unique design to the final product.

**Anti-resonance properties** are provided by a special heavy mineral board with excellent insulating properties and high temperature resistance, which is suitable for the healthcare industry. Thanks to using this board the work surfaces or sinks are perfectly soundproofed.

**Soundproofing** of the carts is ensured by the use of high-quality rubber wheels. As standard, the wheels are supplied with a tread with the hardness of 87 ShA, whereas the **soft wheels** have a hardness of 50 ShA, which makes the tread softer, enables better absorbing of floor bumps (e.g. pavement joints, roughness, etc.) and reduces the noise of the cart, e.g. eliminates the clicking of the wheels when riding over the aforementioned bumps. The second measure that reduces the noise level of the carts and tables is the **anti-vibration reinforcements**, which, in our products, reduce the noise level of the working surfaces of both the plate carts and the tables

The safety of our products is ensured by **rounded corners** and precision **ground edges** (so-called safe edge). In addition, tables or shelves can be fitted with special rounded **buffer corners** on request. All our products are manufactured with the **environment** in mind, in accordance with the ISO 14001 environment management system. As regards the materials used, our products are almost 100% **recyclable**.



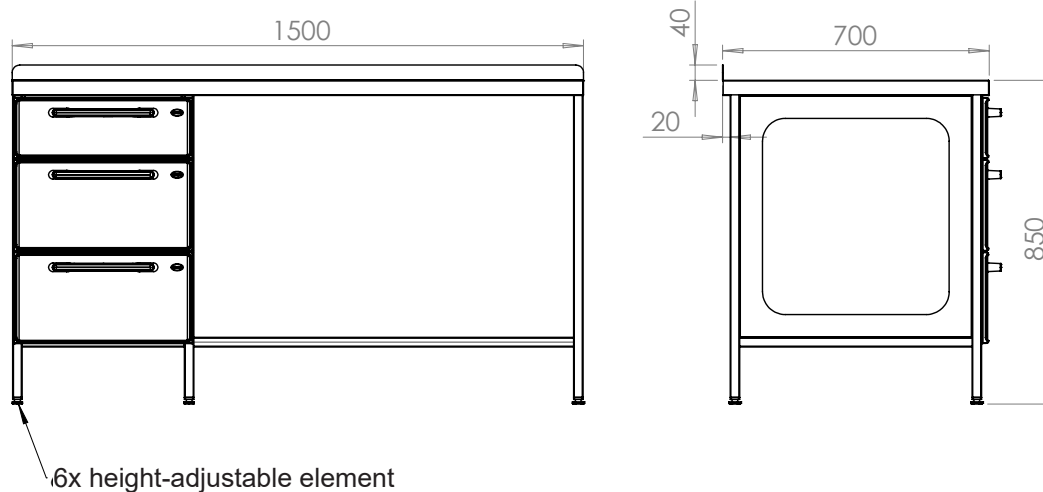
## 5-year warranty

Thanks to the use of the highest quality materials, processed by our experienced staff and state-of-the-art machinery, we can easily provide an **above-standard 5-year warranty** for our products.

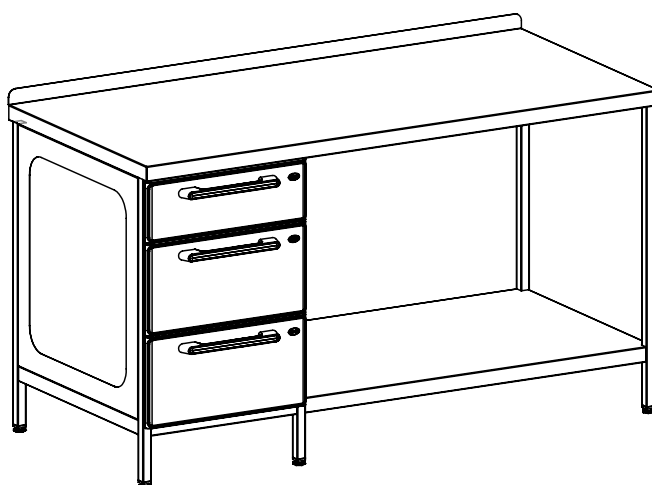
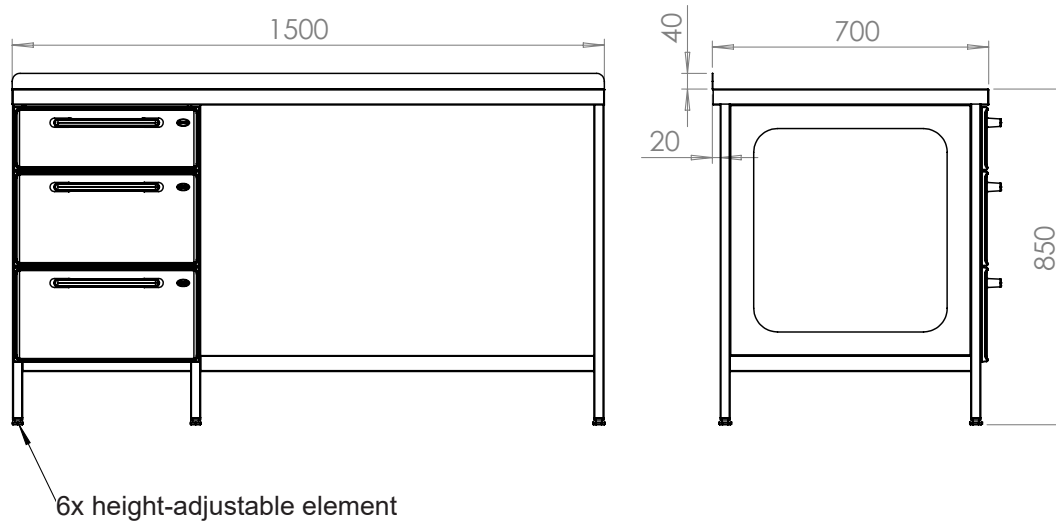


## Samples of stainless steel table designs

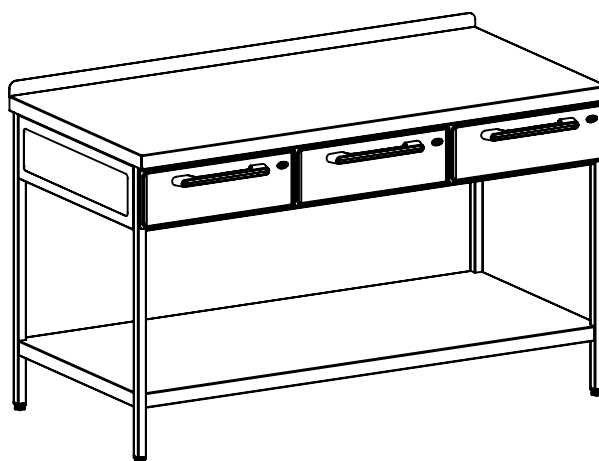
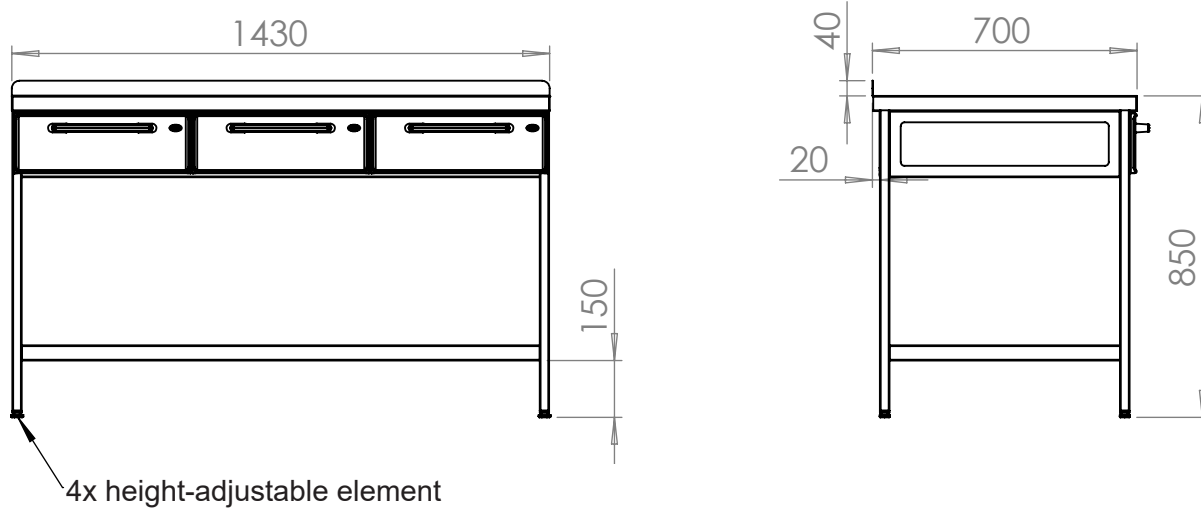
### Stainless steel workbench with drawer cabinet, cat. no. ATS012



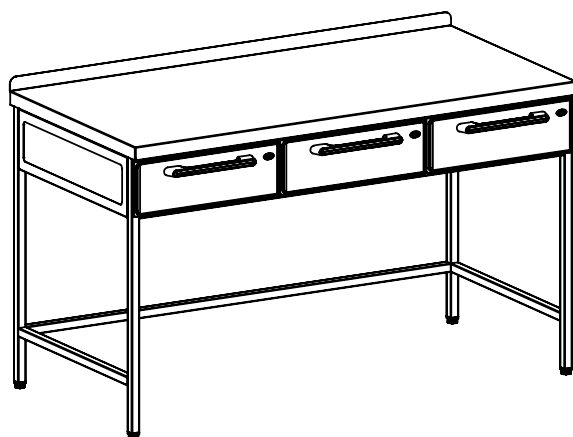
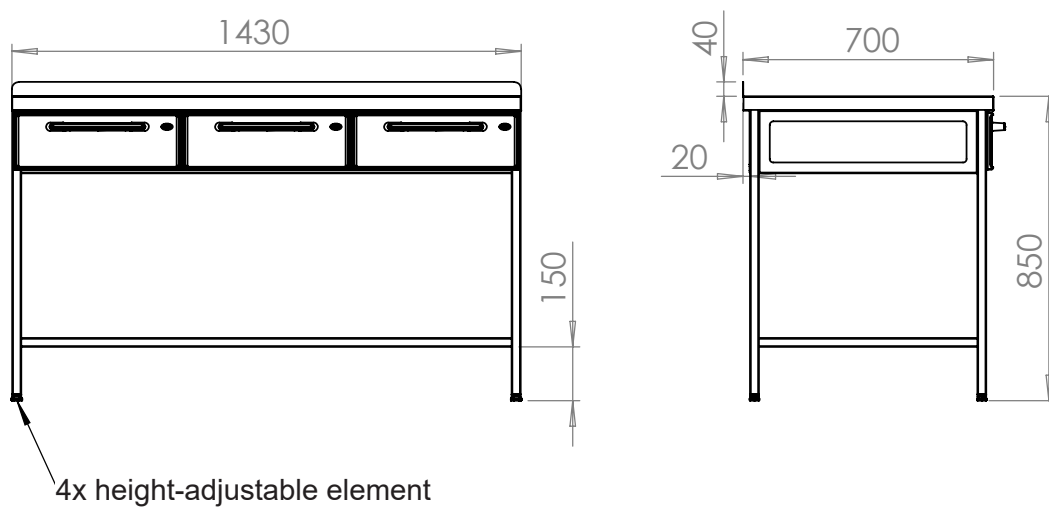
# Stainless steel workbench with drawer cabinet and shelf, cat. no. ATS013



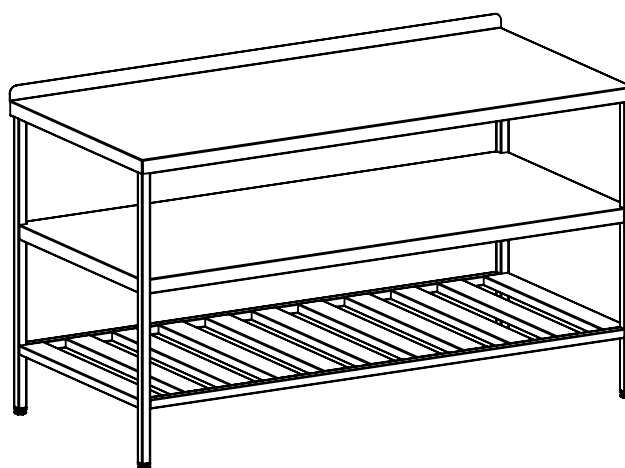
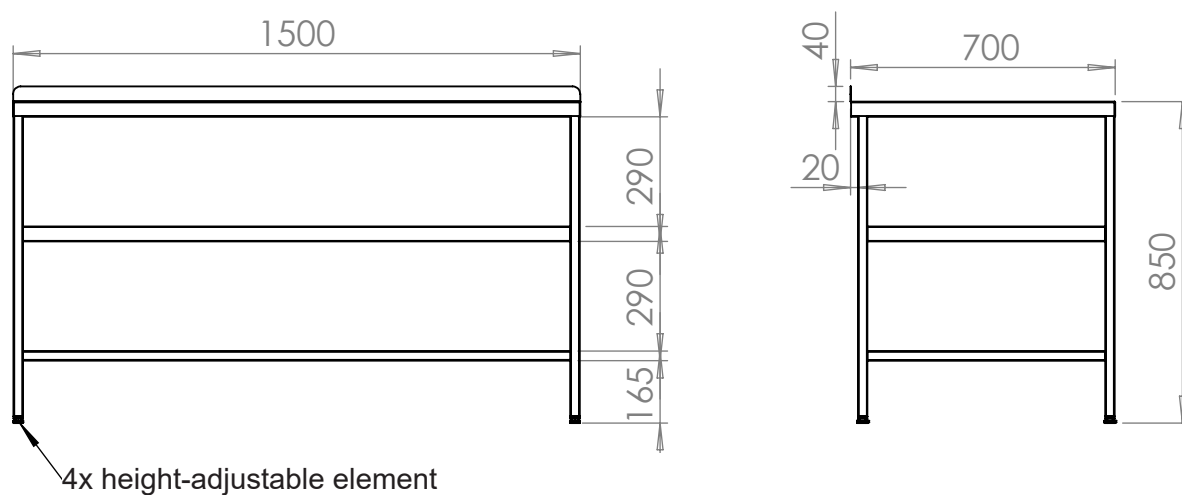
**Stainless steel workbench with drawers and bottom shelf, cat. no. ATS011**



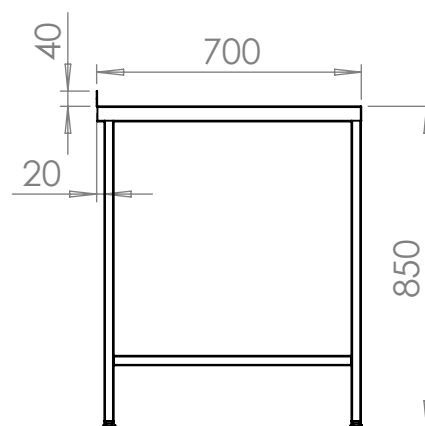
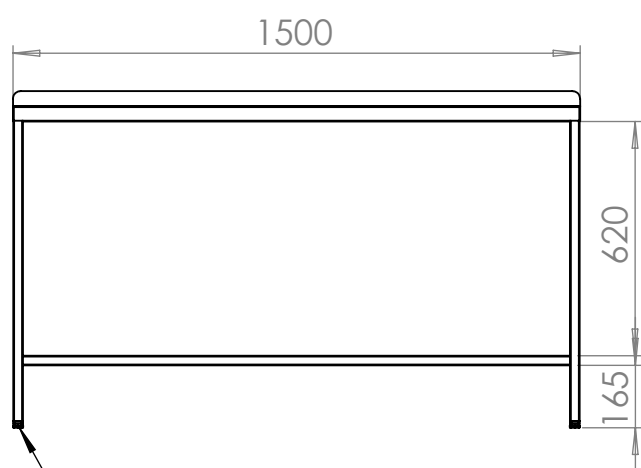
Stainless steel workbench with drawers, cat. no. ATS010



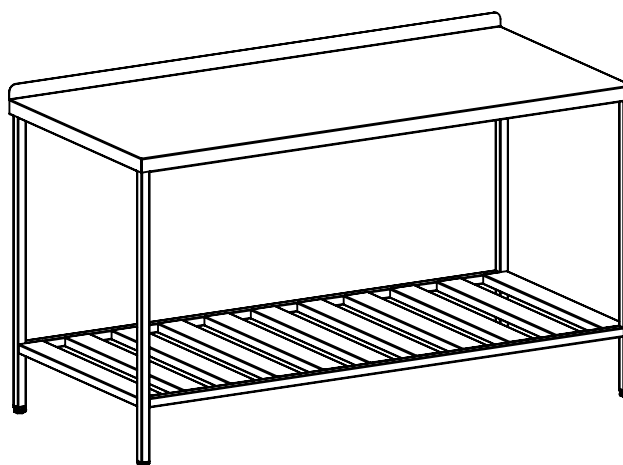
# Stainless steel workbench with drawer cabinet, cat. no. ATS005



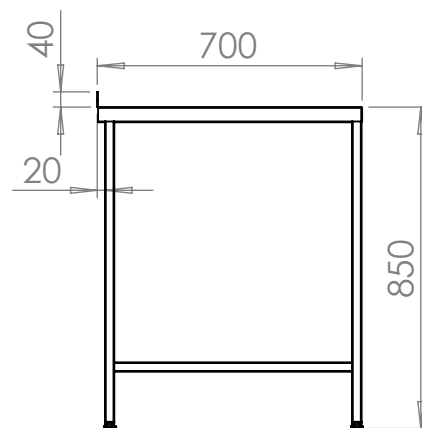
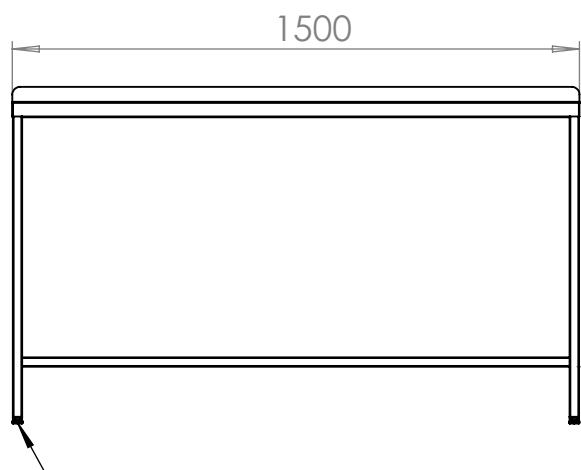
**Stainless steel workbench with full and slatted shelf, cat. no. ATS003**



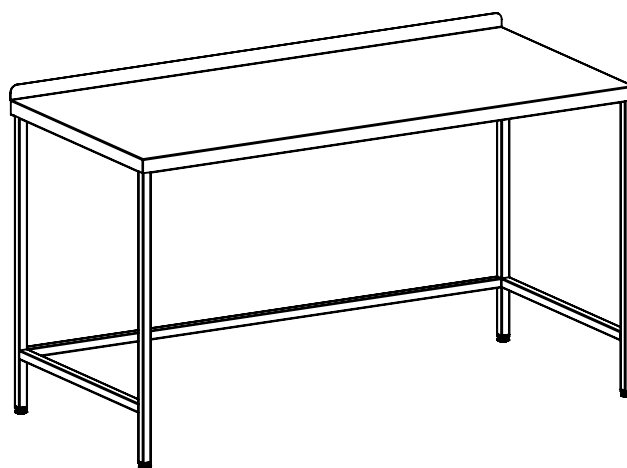
4x height-adjustable element



**Stainless steel workbench with stave, cat. no. ATS001**

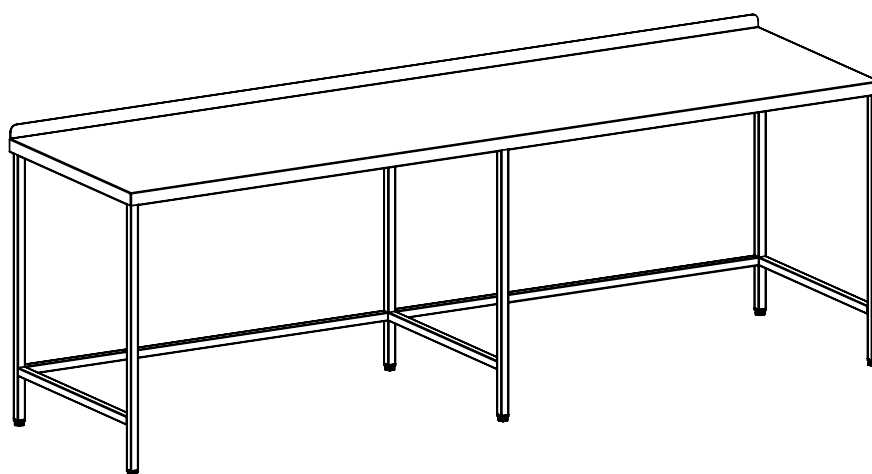
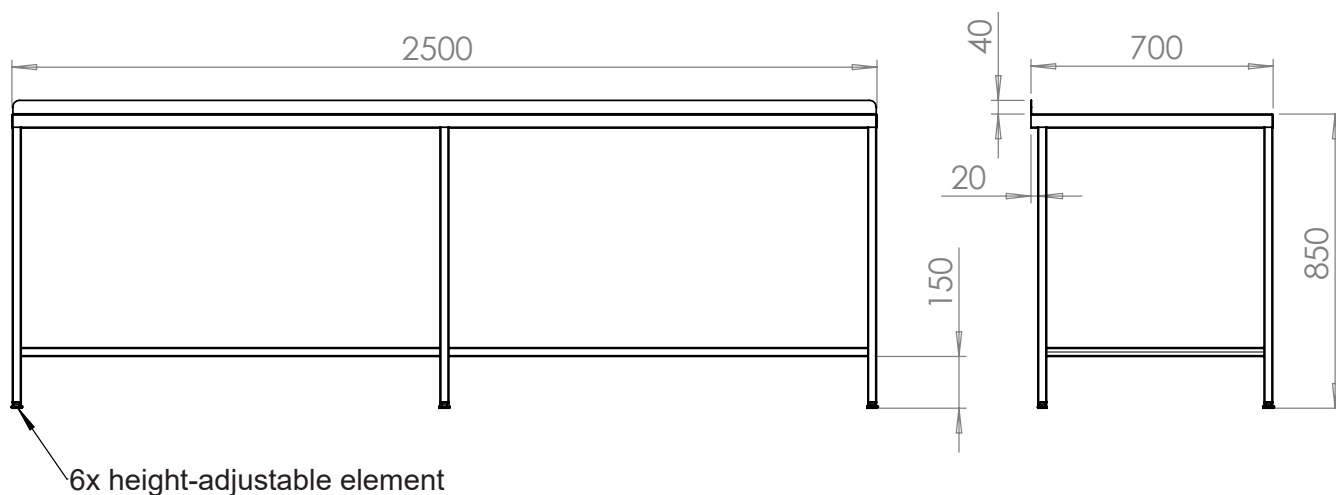


4x height-adjustable element

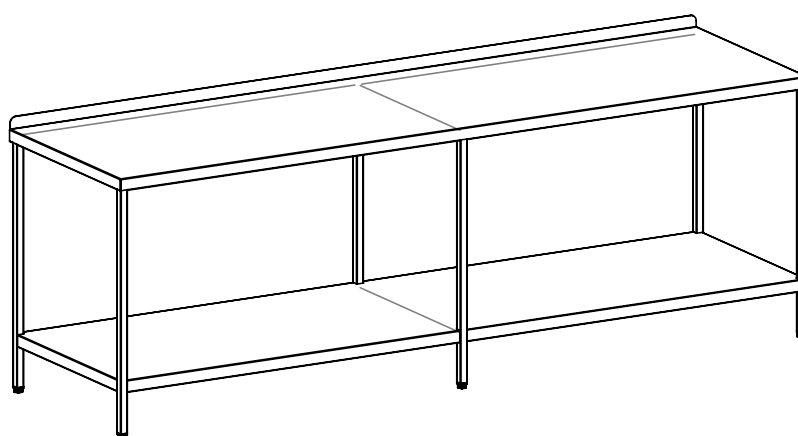
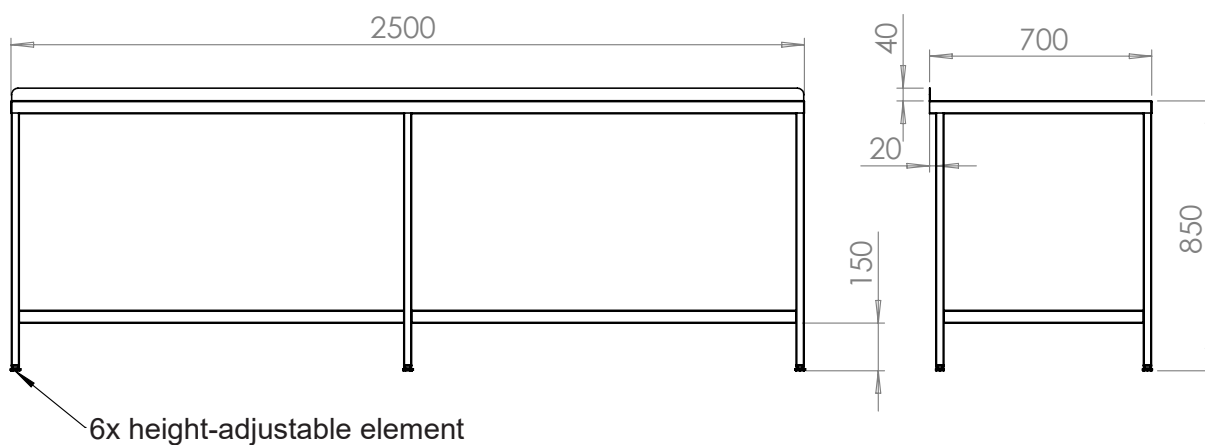
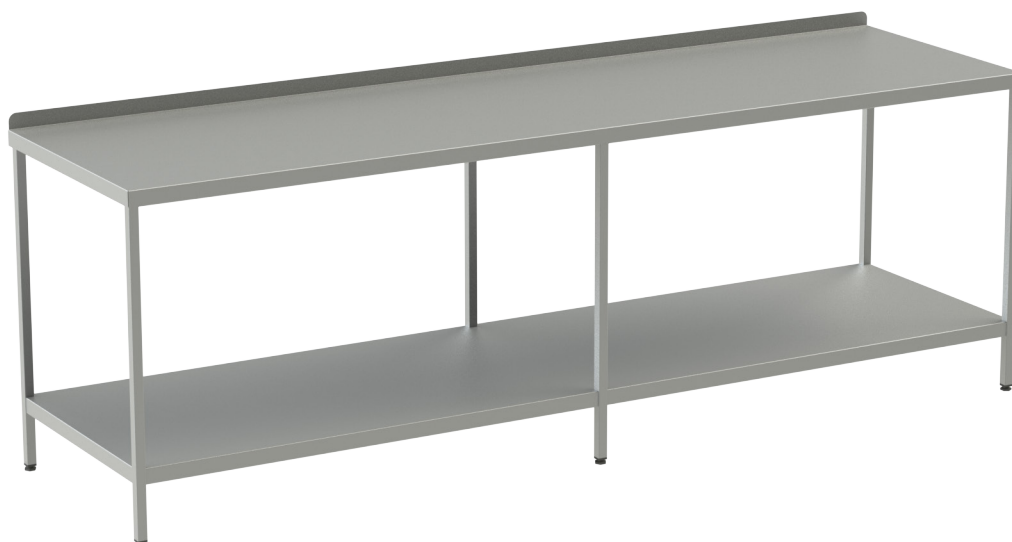




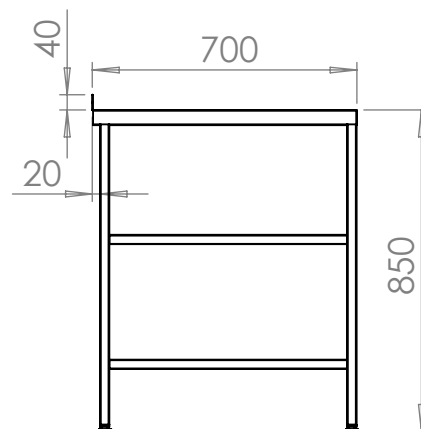
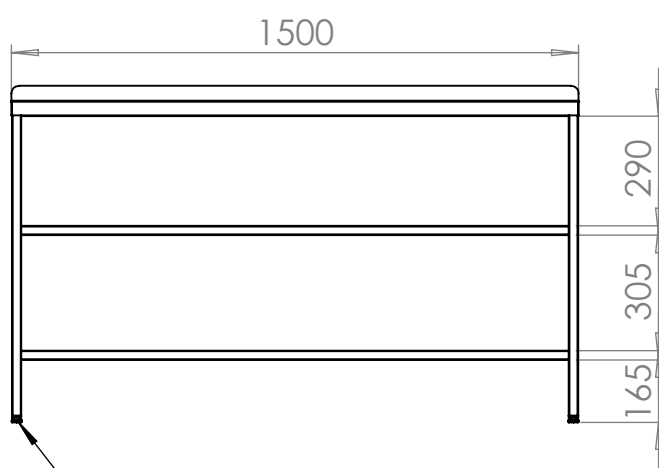
Double workbench with stave, cat. no. ATS007



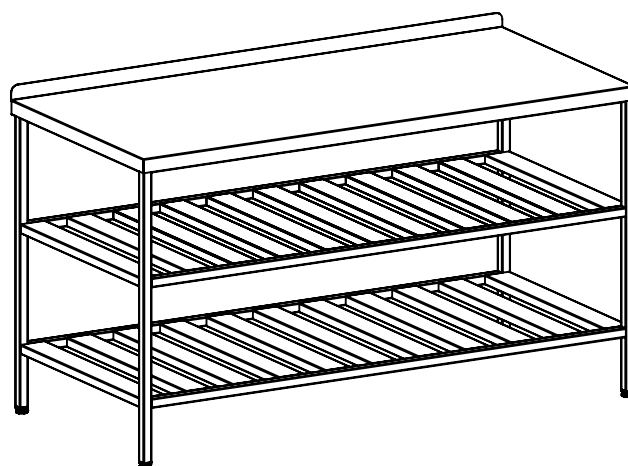
Double stainless steel workbench with two shelves, cat. no. ATS008



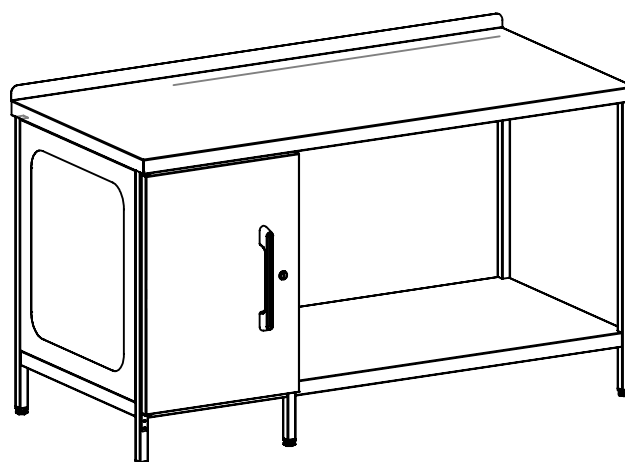
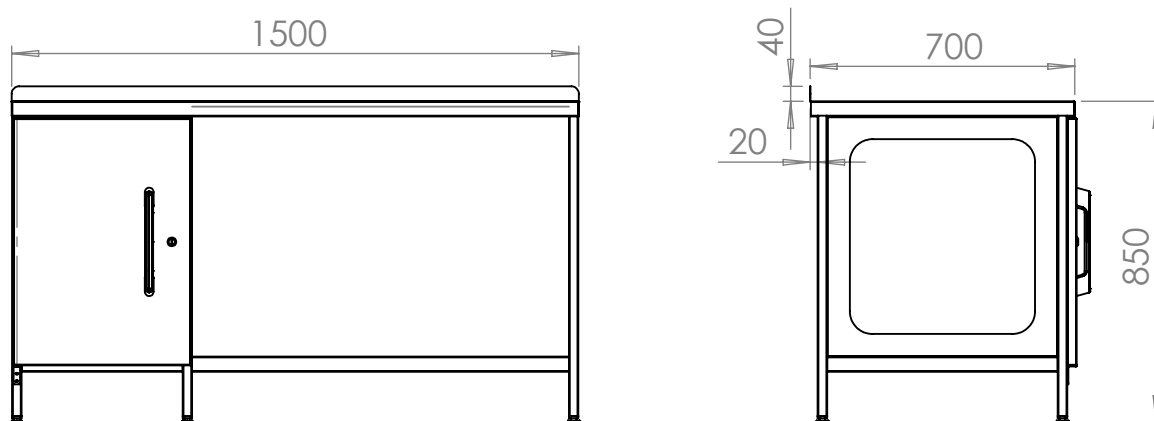
**Stainless steel workbench with two slatted shelves, cat. no. ATS006**



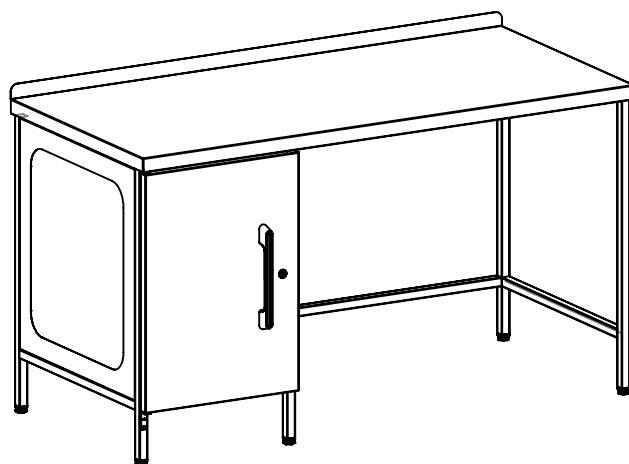
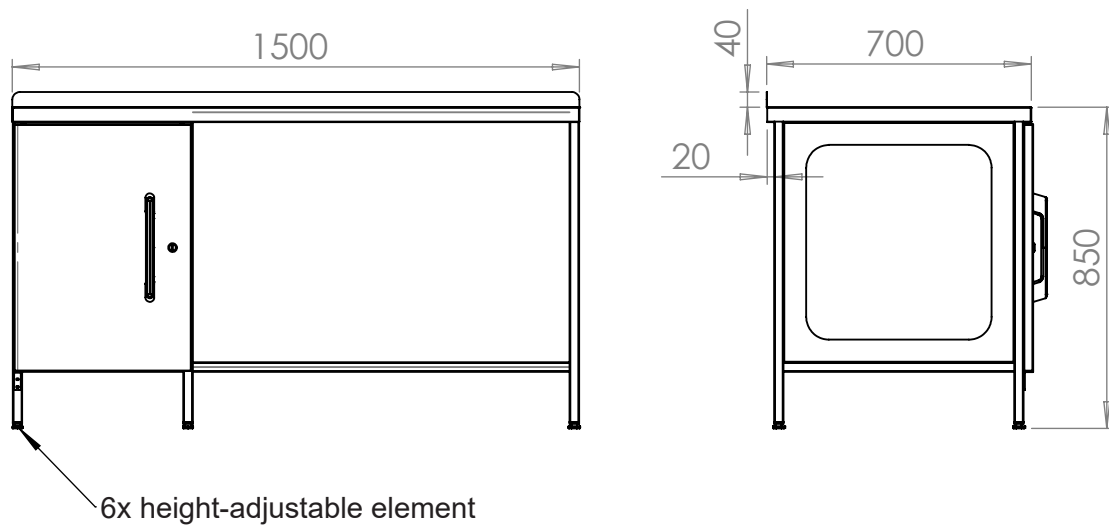
4x height-adjustable element



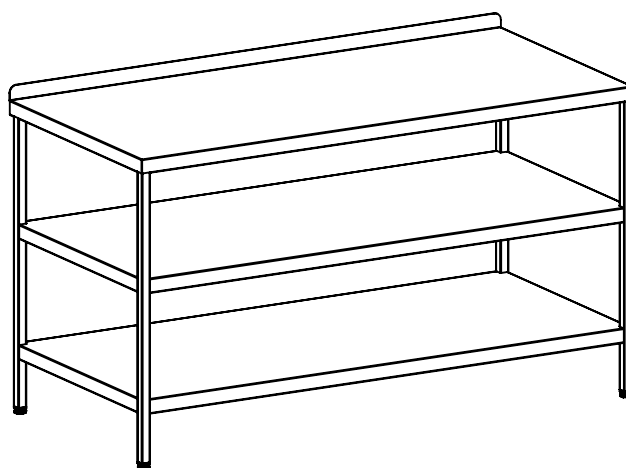
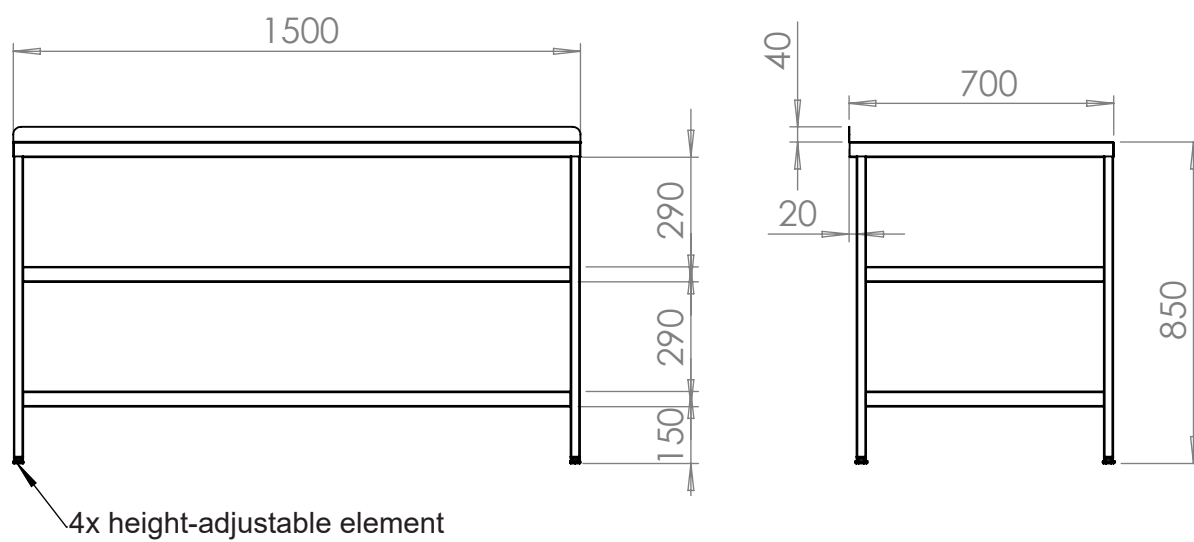
**Stainless steel workbench with cabinet and shelf, cat. no. ATS015**



# Stainless steel workbench with cabinet, cat. no. ATS014



# Stainless steel workbench with three shelves, cat. no. ATS004



# Double stainless steel workbench with three shelves, cat. no. ATS009

